

910K, 914K

Compact Wheel Loaders



	910K	914K
Engine Model*	Cat® C3.8 Turbo	Cat C3.8 Turbo
Maximum Gross Power:		
ISO 14396 (DIN)	72 kW (98 hp)	72 kW (98 hp)
SAE J1995	73 kW (97 hp)	73 kW (97 hp)
Bucket Capacity	1.2 m ³ -2.5 m ³ (1.6 yd ³ -3.3 yd ³)	1.2 m ³ -2.5 m ³ (1.6 yd ³ -3.3 yd ³)
Full Turn Tip Load	4518 kg (9,958 lb)	5578 kg (12,294 lb)
Operating Weight	7130 kg (15,714 lb)	8126 kg (17,910 lb)

*Engine meets U.S. EPA Tier 4 Interim/EU Stage IIIB emission standards.

910K, 914K Compact Wheel Loaders Specifications

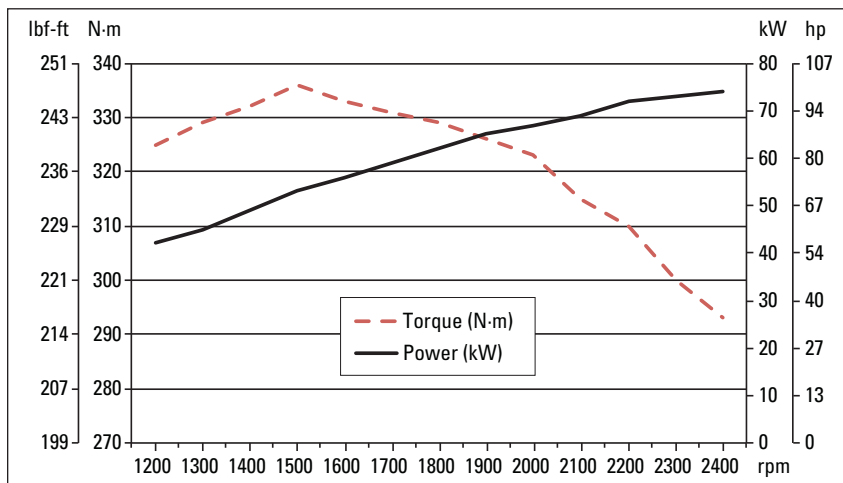
Engine

	910K		914K	
Engine Model	Cat C3.8		Cat C3.8	
Maximum Gross Power				
SAE J1995	73 kW	97 hp	73 kW	97 hp
ISO 14396 (DIN)	72 kW	98 hp	72 kW	98 hp
Rated Net Power				
SAE J1349	69 kW	92 hp	69 kW	92 hp
ISO 9249/EEC	70 kW	93 hp	72 kW	96 hp
RPM at Rated Power	2,400 rpm		2,400 rpm	
Rated Torque	321 N·m	237 lbf-ft	321 N·m	237 lbf-ft
Peak Torque	336 N·m	248 lbf-ft	336 N·m	248 lbf-ft
Torque Rise	17%		17%	
RPM at Peak Torque	1,500 rpm		1,500 rpm	
Bore	100 mm	3.9 in	100 mm	3.9 in
Stroke	120 mm	4.7 in	120 mm	4.7 in
Displacement	3.8 L	231.8 in ³	3.8 L	231.8 in ³

- Net power ratings are tested at the reference conditions for the specified standard.
- Net power shown is the power available at the flywheel when the engine is equipped with alternator, air cleaner, diesel exhaust filter, and fan at minimum speed.
- No derating required up to 3000 m (10,000 ft) altitude. Auto derate protects hydraulic and transmission systems.
- Flywheel per the SAE reference conditions when the fan is at maximum speed.
- Cat C3.8 engine meets U.S. EPA Tier 4 Interim (EU Stage IIIB) emission requirements.
- K Series Compact Wheel Loaders have an active regeneration system with a long life Diesel Particulate Filter.

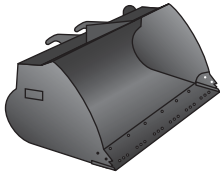
Engine Power and Torque

910K/914K



910K, 914K Compact Wheel Loaders Specifications

Buckets



- Performance Series Buckets utilize a long floor and open throat resulting in easy loading and good material retention.

	910K		914K	
General Purpose	1.2-1.5 m ³	1.6-2.0 yd ³	1.2-1.5 m ³	1.6-2.0 yd ³

Weights

	910K		914K	
Operating weight – Standard Lift	7130 kg	15,714 lb	8126 kg	17,910 lb
Operating weight – High Lift	7639 kg	16,837 lb	8181 kg	18,030 lb

- Specifications shown are for a machine configured with general purpose bucket, bolt-on cutting edges, counterweights, additional guarding, 80 kg (176 lb) operator, and standard tires.
 - 910K is configured with a 1.3 m³ (1.7 yd³) bucket with bolt-on cutting edge and standard counterweights.
 - 914K is configured with 1.5 m³ (2.0 yd³) bucket with bolt-on cutting edge and standard counterweights.

Steering



- Steering system uses a dedicated pump with dual double acting cylinders.

	910K		914K	
Steering articulation angle each direction	40°		40°	
Steering cylinder: double acting				
Bore diameter	60 mm	2.4 in	60 mm	2.4 in
Rod diameter	35 mm	1.4 in	35 mm	1.4 in
Stroke	400 mm	15.7 in	400 mm	15.7 in
Maximum flow – steering pump	60 L/min	15.9 gal/min	84 L/min	22.2 gal/min
Maximum working pressure – steering pump	18 500 kPa	2,683 psi	22 500 kPa	3,263 psi
Maximum steering torque				
0° (straight machine)	29 818 N·m	21,993 lbf-ft	37 107 N·m	27,369 lbf-ft
40° (full turn)	23 525 N·m	17,351 lbf-ft	29 276 N·m	21,593 lbf-ft
Steering cycle times (stop to stop)				
At 2,400 rpm engine speed, 90 rpm steering wheel speed	3.2 seconds		2.8 seconds	
Number of steering wheel turns				
Stop to stop, turning wheel at >67 rpm	3.75 turns		3.75 turns	
Stop to stop, turning wheel at <27 rpm	5.75 turns		5.75 turns	

910K, 914K Compact Wheel Loaders Specifications

Loader Hydraulic System



- The 914K implement system uses a dedicated load sensing variable displacement pump with dual double acting lift cylinders and a single double acting tilt cylinder. The 910K implement system is similar, but uses a gear pump.
- 3rd and 4th function flow is proportionally controlled through the joystick, and can be held at any flow rate with the Continuous Flow function.

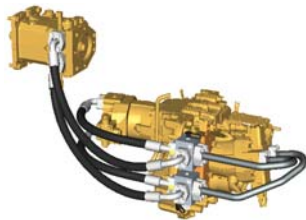
	910K		914K	
Main relief pressure	246 bar	3,568 psi	280 bar	4,061 psi
Maximum pump flow	100 L/min	26 gal/min	125 L/min	33 gal/min
Maximum flow – implement pump				
3rd function	95 L/min	25 gal/min	95 L/min	25 gal/min
4th function	95 L/min	25 gal/min	95 L/min	25 gal/min
Maximum working pressure – implement pump	210 bar	3,046 psi	210 bar	3,046 psi
Cycle time				
Lift	5.9 seconds		5.3 seconds	
Dump	2.0 seconds		1.8 seconds	
Rackback	3.0 seconds		2.4 seconds	
Float	4.1 seconds		3.7 seconds	
Lower, float	4.4 seconds		4.0 seconds	
Lift cylinders				
Bore diameter	100 mm	3.9 in	100 mm	3.9 in
Rod diameter	60 mm	2.4 in	60 mm	2.4 in
Stroke	593 mm	23.3 in	593 mm	23.3 in
Tilt cylinder				
Bore diameter	100 mm	3.9 in	100 mm	3.9 in
Rod diameter	60 mm	2.4 in	60 mm	2.4 in
Stroke	578 mm	22.8 in	578 mm	22.8 in

Service Refill Capacities

	910K		914K	
Cooling system	16.5 L	4.4 gal	16.5 L	4.4 gal
Fuel tank	150 L	39.6 gal	150 L	39.6 gal
Hydraulic system	85 L	22.5 gal	85 L	22.5 gal
Hydraulic tank (refill)	60 L	15.9 gal	60 L	15.9 gal
Engine crankcase	13 L	3.4 gal	13 L	3.4 gal
Transmission (gear box)	3.2 L	0.85 gal	3.2 L	0.85 gal
Axle				
Front, center	7.5 L	1.98 gal	7.5 L	1.98 gal
Front, each hub	2.2 L	0.58 gal	2.2 L	0.58 gal
Rear, center	7.5 L	1.98 gal	7.5 L	1.98 gal
Rear, each hub	2.2 L	0.58 gal	2.2 L	0.58 gal

910K, 914K Compact Wheel Loaders Specifications

Transmission



- Creeper control allows maximum speed range adjustability from 0 to 10 km/h (6 mph) in Speed Range 1. Changing from Low Range to High Range is on-the-go for added convenience.

	910K		914K	
Forward				
Low range, speed range 1	10 km/h	6.3 mph	10 km/h	6.3 mph
Low range, speed range 2	20 km/h	12.5 mph	20 km/h	12.5 mph
High range	40 km/h	25.0 mph	40 km/h	25.0 mph
Reverse				
Low range, speed range 1	10 km/h	6.3 mph	10 km/h	6.3 mph
Low range, speed range 2	20 km/h	12.5 mph	20 km/h	12.5 mph
High range	40 km/h	25.0 mph	40 km/h	25.0 mph

Power Train



- Power train is fully hydrostatic, operating with twin motors on a gear reduction system to amplify torque. A built-in clutch on one motor de-clutches at higher speeds to gain maximum travel speed.

**Differential front locking axle can be engaged on the go at full torque up to 6 km/h (4 mph) to keep your momentum in tough conditions or climbing uphill.

	910K	914K
Front axle	Fixed	Fixed
Traction aid**	Locking differential	Locking differential
Rear axle	Oscillating	Oscillating
Oscillation	± 11 degrees	± 11 degrees
Traction aid	Locking differential	Locking differential
Brakes		
Service brakes	Inboard wet disc	Inboard wet disc
Park brake	Cable applied, spring release	Cable applied, spring release

910K, 914K Compact Wheel Loaders Specifications

Tires

	910K	914K
Tire size, standard	15.5-25 12PR	17.5-25 12PR
Tire size, optional	15.5-R25	17.5-25 16PR
Tire size, optional	16.9-24 10PR	17.5-R25
Tire size, optional	16.9-24 12PR	
Tire size, non-pneumatic (Flexport)	53.5×9×16.5 (15.5/17.5×25 equivalent)	53.5×9×16.5 (15.5/17.5×25 equivalent)

- Wheel sets are interchangeable between the 910K and 914K.

Cab



- ROPS: SAE J1040 MAY94, ISO 3471-1994.
- FOPS: SAE J/ISO 3449 APR98, Level II, ISO 3449 1992 Level II.
- Cat cab and Rollover Protective Structures (ROPS) are standard in North America and Europe.
- The declared dynamic operator sound pressure level per ISO 6396:2008**, when properly installed and maintained, is:
 - Deluxe cab: 75 dB(A)

**The measurements were conducted with the cab doors and windows closed and at 70% of the maximum engine cooling fan speed. The sound level may vary at different engine cooling fan speeds.

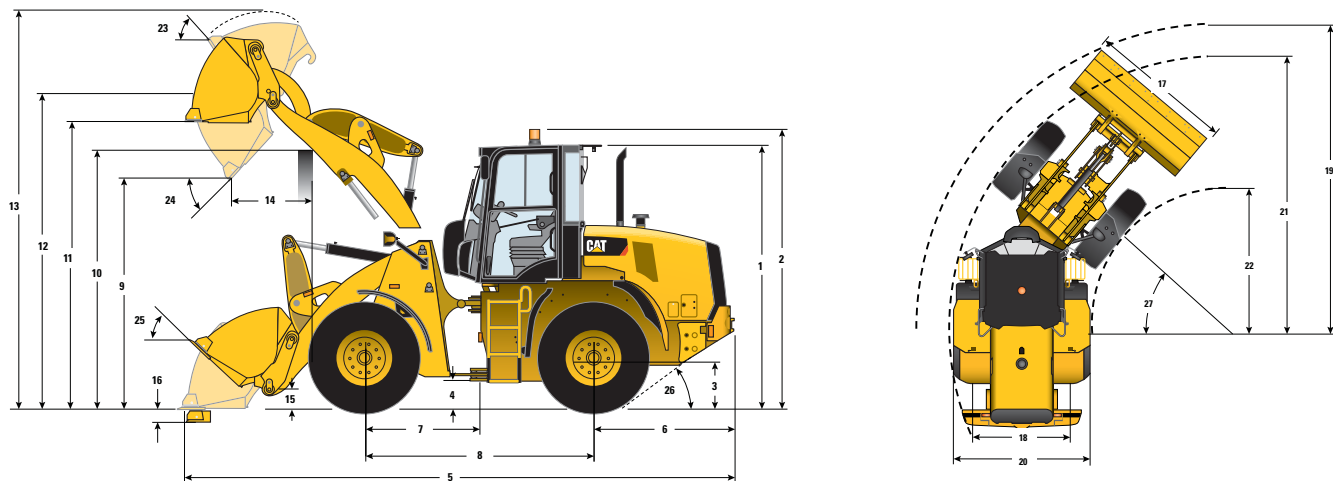
Operating Specifications

	910K		914K	
Full turn tipping load – Standard Lift	4291 kg	9,460 lb	4780 kg	10,538 lb
Full turn tipping load – High Lift	4012 kg	8,844 lb	3902 kg	8,603 lb
Clearance: full lift and 45° dump	2853 mm	112 in	2837 mm	112 in
Reach: full lift and 45° dump	759 mm	29 in	790 mm	31 in
Steering articulation angle each direction	40°		40°	

910K, 914K Compact Wheel Loaders Specifications

Dimensions

All dimensions are approximate. Dimensions vary with bucket, couplers, and tire choice.



	910K		914K	
	Standard Lift – Pin On		Standard Lift – Pin On	
** 1 Height: ground to cab	3020 mm	9'10"	3093 mm	10'1"
** 2 Height: ground to beacon	3210 mm	10'6"	3283 mm	10'9"
** 3 Height: ground axle center	600 mm	1'11"	640 mm	2'1"
** 4 Height: ground clearance	348 mm	1'1"	405 mm	1'3"
* 5 Length: overall	6226 mm	20'5"	6291 mm	20'7"
6 Length: rear axle to bumper	1590 mm	5'2"	1600 mm	5'2"
7 Length: hitch to front axle	1300 mm	4'3"	1300 mm	4'3"
8 Length: wheel base	2600 mm	8'6"	2600 mm	8'6"
* 9 Clearance: bucket at 45°	2846 mm	9'4"	2820 mm	9'3"
** 10 Clearance: load over height	3284 mm	10'9"	3315 mm	10'10"
** 11 Clearance: level bucket	3419 mm	11'2"	3447 mm	11'3"
** 12 Height: bucket pin	3673 mm	12'0"	3701 mm	12'1"
** 13 Height: overall	4534 mm	14'10"	4621 mm	15'1"
* 14 Reach: bucket at 45°	759 mm	2'5"	790 mm	2'7"
15 Carry height: bucket pin	319 mm	1'0"	317 mm	1'0"
** 16 Dig depth	116 mm	4.5"	89 mm	3.4"
17 Width: bucket	2401 mm	7'10"	2401 mm	7'10"
18 Width: tread center	1800 mm	5'10"	1800 mm	5'10"
19 Turning radius: over bucket	5180 mm	16'11"	5200 mm	17'0"
20 Width: over tires	2259 mm	7'4"	2259 mm	7'4"
21 Turning radius: outside of tires	4783 mm	15'8"	4783 mm	15'8"
22 Turning radius: inside of tires	2442 mm	8'0"	2442 mm	8'0"
23 Rack angle at full lift		57°		57°
24 Dump angle at full lift		47°		48°
25 Rack angle at carry		42°		41°
26 Departure angle		33°		33°
27 Articulation angle		40°		40°
Operating weight	7130 kg	15,718 lb	8126 kg	17,910 lb

*Vary with bucket.

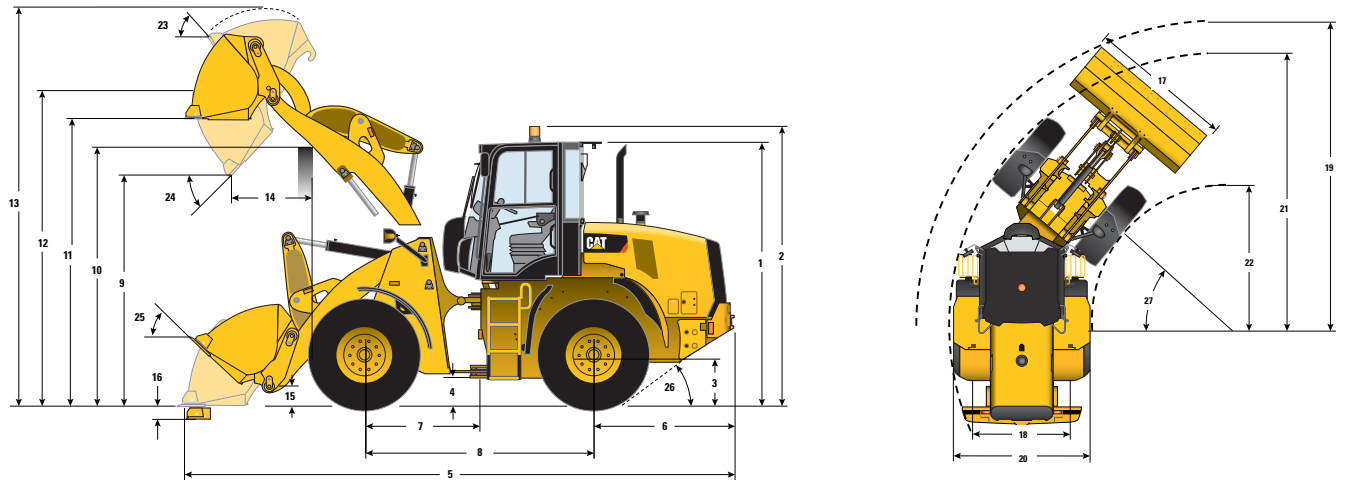
**Vary with tire.

Dimensions listed are for a machine configured with general purpose pin on buckets, bolt-on cutting edges, full fuel tank, 80 kg (176 lb) operator, and standard tires.

910K, 914K Compact Wheel Loaders Specifications

Dimensions

All dimensions are approximate. Dimensions vary with bucket, couplers, and tire choice.



	910K		914K	
	High Lift – Pin On		High Lift – Pin On	
** 1 Height: ground to cab	3020 mm	9'10"	3093 mm	10'1"
** 2 Height: ground to beacon	3210 mm	10'6"	3283 mm	10'9"
** 3 Height: ground axle center	600 mm	1'11"	640 mm	2'1"
** 4 Height: ground clearance	348 mm	1'1"	405 mm	1'3"
* 5 Length: overall	6758 mm	22'2"	6834 mm	22'5"
6 Length: rear axle to bumper	1590 mm	5'2"	1600 mm	5'2"
7 Length: hitch to front axle	1300 mm	4'3"	1300 mm	4'3"
8 Length: wheel base	2600 mm	8'6"	2600 mm	8'6"
* 9 Clearance: bucket at 45°	3202 mm	10'6"	3174 mm	10'4"
** 10 Clearance: load over height	3397 mm	11'1"	3429 mm	11'2"
** 11 Clearance: level bucket	3775 mm	12'4"	3800 mm	12'5"
** 12 Height: bucket pin	4030 mm	13'2"	4055 mm	13'3"
** 13 Height: overall	4891 mm	16'0"	4974 mm	16'3"
* 14 Reach: bucket at 45°	978 mm	3'2"	1009 mm	3'3"
15 Carry height: bucket pin	480 mm	1'6"	483 mm	1'6"
** 16 Dig depth	294 mm	11.5"	272 mm	10.7"
17 Width: bucket	2401 mm	7'10"	2401 mm	7'10"
18 Width: tread center	1800 mm	5'10"	1800 mm	5'10"
19 Turning radius: over bucket	5419 mm	17'9"	5448 mm	17'10"
20 Width: over tires	2259 mm	7'4"	2259 mm	7'4"
21 Turning radius: outside of tires	4783 mm	15'8"	4783 mm	15'8"
22 Turning radius: inside of tires	2442 mm	8'0"	2442 mm	8'0"
23 Rack angle at full lift		59°		59°
24 Dump angle at full lift		43°		44°
25 Rack angle at carry		50°		49°
26 Departure angle		33°		33°
27 Articulation angle		40°		40°
Operating weight	7639 kg	16,837 lb	8181 kg	18,030 lb

*Vary with bucket.

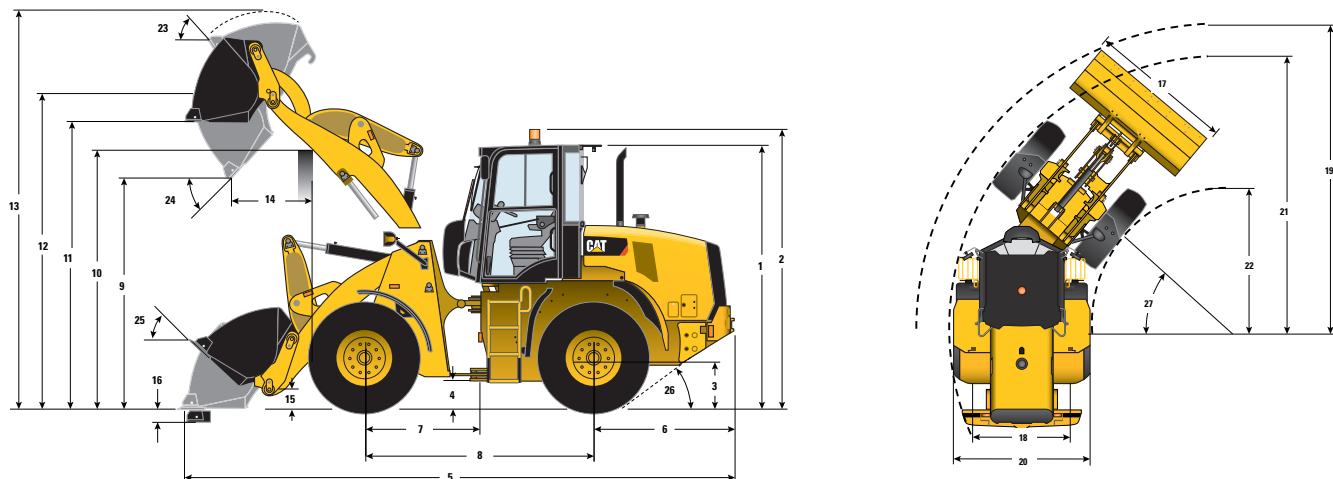
**Vary with tire.

Dimensions listed are for a machine configured with general purpose pin on buckets, bolt-on cutting edges, full fuel tank, 80 kg (176 lb) operator, and standard tires.

910K, 914K Compact Wheel Loaders Specifications

Dimensions

All dimensions are approximate. Dimensions vary with bucket, couplers, and tire choice.



	910K		914K	
	Standard Lift – IT		Standard Lift – IT	
** 1 Height: ground to cab	3020 mm	9'10"	3093 mm	10'1"
** 2 Height: ground to beacon	3210 mm	10'6"	3283 mm	10'9"
** 3 Height: ground axle center	600 mm	1'11"	640 mm	2'1"
** 4 Height: ground clearance	348 mm	1'1"	405 mm	1'3"
* 5 Length: overall	6293 mm	20'7"	6362 mm	20'10"
6 Length: rear axle to bumper	1590 mm	5'2"	1600 mm	5'2"
7 Length: hitch to front axle	1300 mm	4'3"	1300 mm	4'3"
8 Length: wheel base	2600 mm	8'6"	2600 mm	8'6"
* 9 Clearance: bucket at 45°	2809 mm	9'2"	2775 mm	9'1"
** 10 Clearance: load over height	3284 mm	10'9"	3315 mm	10'10"
** 11 Clearance: level bucket	3418 mm	11'2"	3446 mm	11'3"
** 12 Height: bucket pin	3673 mm	12'0"	3701 mm	12'1"
** 13 Height: overall	4563 mm	14'11"	4674 mm	15'4"
* 14 Reach: bucket at 45°	820 mm	2'8"	847 mm	2'9"
15 Carry height: bucket pin	319 mm	1'0"	317 mm	1'0"
** 16 Dig depth	117 mm	4.5"	89 mm	3.5"
17 Width: bucket	2401 mm	7'10"	2401 mm	7'10"
18 Width: tread center	1800 mm	5'10"	1800 mm	5'10"
19 Turning radius: over bucket	5200 mm	17'0"	5222 mm	17'1"
20 Width: over tires	2259 mm	7'4"	2259 mm	7'4"
21 Turning radius: outside of tires	4783 mm	15'8"	4783 mm	15'8"
22 Turning radius: inside of tires	2442 mm	8'0"	2442 mm	8'0"
23 Rack angle at full lift		57°		57°
24 Dump angle at full lift		48°		48°
25 Rack angle at carry		42°		41°
26 Departure angle		33°		33°
27 Articulation angle		40°		40°
Operating weight	7470 kg	16,463 lb	8467 kg	18,666 lb

*Vary with bucket.

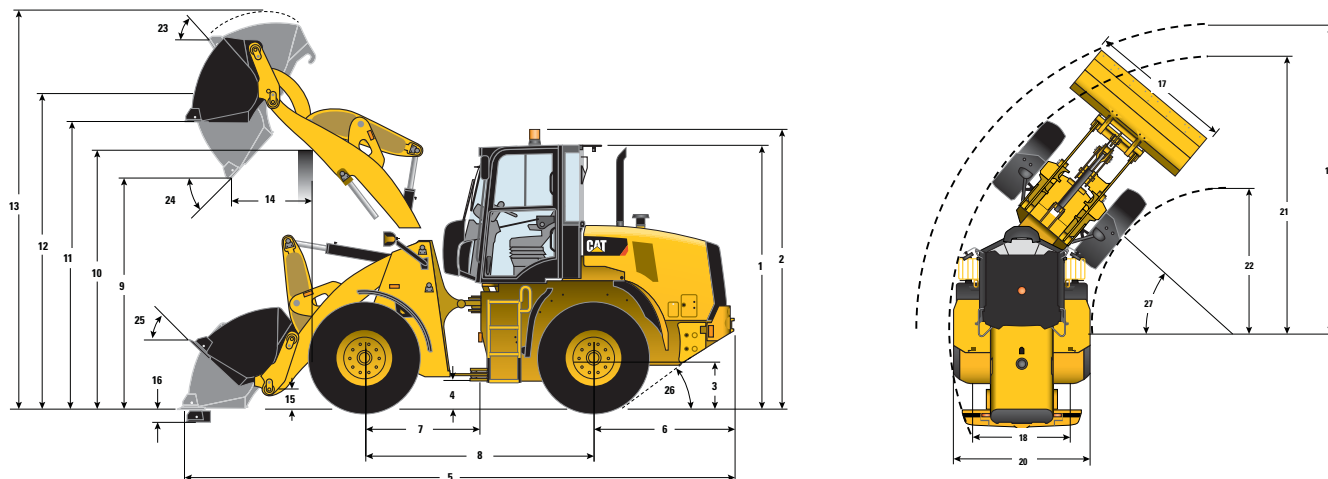
**Vary with tire.

Dimensions listed are for a machine configured with general purpose pin on buckets, bolt-on cutting edges, full fuel tank, 80 kg (176 lb) operator, and standard tires.

910K, 914K Compact Wheel Loaders Specifications

Dimensions

All dimensions are approximate. Dimensions vary with bucket, couplers, and tire choice.



	910K		914K	
	High Lift – IT		High Lift – IT	
** 1 Height: ground to cab	3020 mm	9'10"	3093 mm	10'1"
** 2 Height: ground to beacon	3210 mm	10'6"	3283 mm	10'9"
** 3 Height: ground axle center	600 mm	1'11"	640 mm	2'1"
** 4 Height: ground clearance	348 mm	1'1"	405 mm	1'3"
* 5 Length: overall	6825 mm	22'4"	6905 mm	22'7"
6 Length: rear axle to bumper	1590 mm	5'2"	1600 mm	5'2"
7 Length: hitch to front axle	1300 mm	4'3"	1300 mm	4'3"
8 Length: wheel base	2600 mm	8'6"	2600 mm	8'6"
* 9 Clearance: bucket at 45°	3166 mm	10'4"	3129 mm	10'3"
** 10 Clearance: load over height	3397 mm	11'1"	3429 mm	11'2"
** 11 Clearance: level bucket	3774 mm	12'4"	3800 mm	12'5"
** 12 Height: bucket pin	4030 mm	13'2"	4055 mm	13'3"
** 13 Height: overall	4920 mm	16'1"	5027 mm	16'5"
* 14 Reach: bucket at 45°	1039 mm	3'4"	1066 mm	3'5"
15 Carry height: bucket pin	480 mm	1'6"	483 mm	1'6"
** 16 Dig depth	295 mm	11.6"	273 mm	10.7"
17 Width: bucket	2401 mm	7'10"	2401 mm	7'10"
18 Width: tread center	1800 mm	5'10"	1800 mm	5'10"
19 Turning radius: over bucket	5440 mm	17'10"	5471 mm	17'11"
20 Width: over tires	2259 mm	7'4"	2259 mm	7'4"
21 Turning radius: outside of tires	4783 mm	15'8"	4783 mm	15'8"
22 Turning radius: inside of tires	2442 mm	8'0"	2442 mm	8'0"
23 Rack angle at full lift		59°		59°
24 Dump angle at full lift		44°		44°
25 Rack angle at carry		50°		49°
26 Departure angle		33°		33°
27 Articulation angle		40°		40°
Operating weight	7979 kg	17,586 lb	8521 kg	18,785 lb

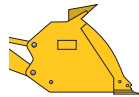


*Vary with bucket.

**Vary with tire.

Dimensions listed are for a machine configured with general purpose pin on buckets, bolt-on cutting edges, full fuel tank, 80 kg (176 lb) operator, and standard tires.

910K, 914K Compact Wheel Loaders Specifications

910K Operating Specifications with Buckets

		Standard Lift – General Purpose									
		 Pin On			 IT				 ISO 23727		
Rated capacity	m ³	1.3	1.3	1.5	1.2	1.3	1.4	1.5	1.2	1.4	
	yd ³	1.7	1.7	2.0	1.6	1.7	1.8	2.0	1.6	1.8	
Width: bucket	mm	2401	2320	2401	2401	2320	2401	2401	2401	2401	
	ft/in	7'10"	7'7"	7'10"	7'10"	7'7"	7'10"	7'10"	7'10"	7'10"	
Nominal material density, 100% fill factor	kg/m ³	1738	1739	1484	1857	1710	1568	1454	1811	1529	
	lb/yd ³	2929	2930	2453	3070	2883	2688	2403	2993	2621	
Clearance: full lift, 45° dump	mm	2846	2849	2792	2809	2778	2747	2721	2772	2709	
	ft/in	9'4"	9'4"	9'1"	9'2"	9'1"	9'0"	8'11"	9'1"	8'10"	
Reach: full lift, 45° dump	mm	759	765	811	820	843	867	888	863	909	
	ft/in	2'5"	2'6"	2'7"	2'8"	2'9"	2'10"	2'10"	2'9"	2'11"	
Reach: 2130 mm (7'0") clearance, 45° dump	mm	1338	1346	1361	1380	1385	1392	1397	1403	1411	
	ft/in	4'4"	4'5"	4'5"	4'6"	4'6"	4'6"	4'7"	4'7"	4'7"	
Reach: level arm, level bucket	mm	2026	2027	2101	2092	2132	2172	2207	2149	2228	
	ft/in	6'7"	6'7"	6'10"	6'10"	6'11"	7'1"	7'2"	7'0"	7'3"	
Dig depth	mm	116	116	116	117	117	116	116	117	117	
	in	4.5"	4.5"	4.5"	4.6"	4.6"	4.6"	4.6"	4.6"	4.6"	
Length: overall	mm	6226	6227	6301	6293	6333	6373	6407	6350	6429	
	ft/in	20'5"	20'5"	20'8"	20'7"	20'9"	20'10"	21'0"	20'10"	21'1"	
Height: overall	mm	4534	4522	4593	4563	4580	4646	4653	4599	4667	
	ft/in	14'10"	14'10"	15'0"	14'11"	15'0"	15'2"	15'3"	15'1"	15'3"	
Turning radius, bucket at carry	mm	5180	5143	5202	5199	5174	5223	5234	5216	5239	
	ft/in	16'11"	16'10"	17'0"	17'0"	16'11"	17'1"	17'2"	17'1"	17'2"	
Tipping load – straight, ISO 14397-1*	kg	5339	5339	5267	5297	5284	5224	5193	5170	5099	
	lb	11,767	11,766	11,607	11,674	11,645	11,513	11,444	11,394	11,238	
Tipping load – straight, rigid tire**	kg	5562	5561	5486	5518	5504	5441	5409	5385	5311	
	lb	12,257	12,256	12,091	12,160	12,130	11,992	11,921	11,869	11,706	
Tipping load – full turn, ISO 14397-1*	kg	4518	4520	4451	4458	4447	4390	4362	4346	4281	
	lb	9,958	9,963	9,810	9,825	9,801	9,676	9,613	9,578	9,434	
Tipping load – full turn, rigid tire**	kg	4807	4809	4735	4742	4731	4671	4640	4623	4554	
	lb	10,593	10,598	10,436	10,452	10,427	10,294	10,226	10,189	10,036	
Breakout force	kg	7327	7329	6691	6741	6458	6158	5936	6298	5787	
	kN	71.9	71.9	65.6	66.1	63.3	60.4	58.2	61.8	56.8	
	lbf	16,148	16,153	14,747	14,857	14,233	13,572	13,081	13,881	12,754	
Operating weight	kg	7130	7110	7169	7470	7466	7509	7525	7492	7531	
	lb	15,718	15,671	15,800	16,463	16,454	16,550	16,585	16,512	16,597	

*Full compliance to ISO 14397-1 (2007) Sections 1 thru 6, which requires 2% verification between calculation and testing.

**Compliance to ISO 14397-1 (2007) Sections 1 thru 5.

Dimensions listed are for a 910K configured with buckets, bolt-on cutting edges, optional counterweights, additional guarding, 80 kg (176 lb) operator, and Michelin 15.5 R25 (L2) XTLA tires at a pressure of 4.14 bar (60 psi) in the front tires and 2.76 bar (40 psi) in the rear tires.

910K, 914K Compact Wheel Loaders Specifications

910K Bucket Selection Table – Standard Lift

Bucket Fill Factor		kg/m ³	1150	1225	1300	1375	1450	1525	1600	1675	1750	1825	1900	
		lb/yd ³	1,938	2,064	2,191	2,317	2,443	2,570	2,696	2,822	2,949	3,075	3,202	
		m ³												
		yd ³												
General Purpose	Pin On	1.3	1.7						114%	109%	104%	99%	95%	
		1.3	1.7						114%	109%	104%	99%	95%	
		1.5	2.0			114%	108%	102%	97%					
	IT	1.2	1.6								111%	106%	102%	98%
		1.3	1.7						112%	107%	102%	98%		
		1.4	1.8				114%	108%	103%	98%				
		1.5	2.0			112%	106%	100%	95%					
	ISO	1.2	1.6							113%	108%	103%	99%	95%
		1.4	1.8				111%	105%	100%	96%				

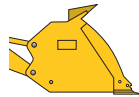


Material density and fill factor are key variables when choosing the appropriate size of the bucket. The long floor and open throat design of the Performance Series Buckets along with the aggressive rack angles of the Cat Optimized Z-bar Loader will demonstrate fill factors greater than 100% ISO rated. Refer to the Fill Factors table for expected fill factor per material density, and Bucket Selection Table for bucket sizing.

910K Fill Factors – Standard Lift

Materials	Density	Fill %
Earth and rock	~ 1800 kg/m ³ ~ 3,033 lb/yd ³	~ 115%
Sand and gravel	~ 1700 kg/m ³ ~ 2,865 lb/yd ³	~ 115%
Aggregates	~ 1600 kg/m ³ ~ 2,696 lb/yd ³	~ 105%
Bulk grains	~ 750 kg/m ³ ~ 1,264 lb/yd ³	~ 100%
Woodchips	~ 500 kg/m ³ ~ 843 lb/yd ³	~ 100%

910K, 914K Compact Wheel Loaders Specifications

910K Operating Specifications with Buckets

		High Lift – General Purpose								
		 Pin On			 IT				 ISO 23727	
Rated capacity	m ³	1.3	1.3	1.5	1.2	1.3	1.4	1.5	1.2	1.4
	yd ³	1.7	1.7	2.0	1.6	1.7	1.8	2.0	1.6	1.8
Width: bucket	mm	2401	2320	2401	2401	2320	2401	2401	2401	2401
	ft/in	7'10"	7'7"	7'10"	7'10"	7'7"	7'10"	7'10"	7'10"	7'10"
Nominal material density, 100% fill factor	kg/m ³	1614	1616	1380	1719	1584	1453	1348	1682	1422
	lb/yd ³	2,719	2,723	2,281	2,841	2,670	2,491	2,229	2,780	2,438
Clearance: full lift, 45° dump	mm	3202	3205	3149	3166	3135	3103	3077	3128	3066
	ft/in	10'6"	10'6"	10'3"	10'4"	10'3"	10'2"	10'1"	10'3"	10'0"
Reach: full lift, 45° dump	mm	978	984	1030	1039	1062	1086	1107	1083	1128
	ft/in	3'2"	3'2"	3'4"	3'4"	3'5"	3'6"	3'7"	3'6"	3'8"
Reach: 2130 mm (7'0") clearance, 45° dump	mm	1798	1806	1826	1843	1852	1861	1870	1869	1884
	ft/in	5'10"	5'11"	5'11"	6'0"	6'0"	6'1"	6'1"	6'1"	6'2"
Reach: level arm, level bucket	mm	2441	2442	2516	2507	2546	2587	2621	2564	2643
	ft/in	8'0"	8'0"	8'3"	8'2"	8'4"	8'5"	8'7"	8'4"	8'8"
Dig depth	mm	294	294	294	295	295	295	295	295	295
	in	11.6"	11.6"	11.6"	11.6"	11.6"	11.6"	11.6"	11.6"	11.6"
Length: overall	mm	6758	6759	6834	6825	6865	6905	6939	6882	6961
	ft/in	22'2"	22'2"	22'5"	22'4"	22'6"	22'7"	22'9"	22'6"	22'10"
Height: overall	mm	4891	4879	4949	4920	4937	5002	5009	4955	5023
	ft/in	16'0"	16'0"	16'2"	16'1"	16'2"	16'4"	16'5"	16'3"	16'5"
Turning radius, bucket at carry	mm	5419	5384	5443	5440	5417	5465	5476	5452	5478
	ft/in	17'9"	17'7"	17'10"	17'10"	17'9"	17'11"	17'11"	17'10"	17'11"
Tipping load – straight, ISO 14397-1*	kg	5005	5008	4945	4949	4942	4889	4863	4849	4790
	lb	11,031	11,037	10,899	10,907	10,892	10,774	10,718	10,688	10,558
Tipping load – straight, rigid tire**	kg	5214	5217	5151	5155	5148	5092	5066	5051	4990
	lb	11,490	11,497	11,353	11,362	11,346	11,223	11,165	11,133	10,998
Tipping load – full turn, ISO 14397-1*	kg	4195	4201	4139	4125	4120	4069	4045	4037	3982
	lb	9,246	9,258	9,123	9,091	9,079	8,967	8,914	8,897	8,776
Tipping load – full turn, rigid tire**	kg	4463	4469	4404	4388	4383	4328	4303	4295	4236
	lb	9,836	9,849	9,705	9,671	9,659	9,539	9,483	9,465	9,336
Breakout force	kg	7392	7394	6751	6800	6514	6212	5988	6351	5836
	kN	72.5	72.5	66.2	66.7	63.9	60.9	58.7	62.3	57.2
	lbf	16,291	16,296	14,879	14,987	14,357	13,692	13,198	13,998	12,862
Operating weight	kg	7639	7620	7678	7979	7975	8019	8035	8002	8040
	lb	16,837	16,793	16,922	17,586	17,576	17,673	17,708	17,635	17,720

*Full compliance to ISO 14397-1 (2007) Sections 1 thru 6, which requires 2% verification between calculation and testing.

**Compliance to ISO 14397-1 (2007) Sections 1 thru 5.

Dimensions listed are for a 910K configured with buckets, bolt-on cutting edges, optional counterweights, additional guarding, 80 kg (176 lb) operator, and Michelin 15.5 R25 (L2) XTLA tires at a pressure of 4.14 bar (60 psi) in the front tires and 2.76 bar (40 psi) in the rear tires.

910K, 914K Compact Wheel Loaders Specifications

910K Bucket Selection Table – High Lift

Bucket Fill Factor		kg/m ³	1075	1150	1225	1300	1375	1450	1525	1600	1675	1750	1825	
		lb/yd ³	1,811	1,938	2,064	2,191	2,317	2,443	2,570	2,696	2,822	2,949	3,075	
		m ³												
		yd ³												
General Purpose	Pin On	1.3	1.7						111%	106%	101%	96%		
		1.3	1.7						111%	106%	101%	96%		
		1.5	2.0		113%	106%	100%	95%						
	IT	1.2	1.6							113%	107%	103%	98%	94%
		1.3	1.7						109%	104%	99%	95%		
		1.4	1.8			112%	106%	100%	95%					
		1.5	2.0		110%	104%	98%							
	ISO	1.2	1.6							110%	105%	100%	96%	
		1.4	1.8			109%	103%	98%						

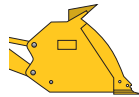


Material density and fill factor are key variables when choosing the appropriate size of the bucket. The long floor and open throat design of the Performance Series Buckets along with the aggressive rack angles of the Cat Optimized Z-bar Loader will demonstrate fill factors greater than 100% ISO rated. Refer to the Fill Factors table for expected fill factor per material density, and Bucket Selection Table for bucket sizing.

910K Fill Factors – High Lift

Materials	Density	Fill %
Earth and rock	~ 1800 kg/m ³ ~ 3,033 lb/yd ³	~ 115%
Sand and gravel	~ 1700 kg/m ³ ~ 2,865 lb/yd ³	~ 115%
Aggregates	~ 1600 kg/m ³ ~ 2,696 lb/yd ³	~ 105%
Bulk grains	~ 750 kg/m ³ ~ 1,264 lb/yd ³	~ 100%
Woodchips	~ 500 kg/m ³ ~ 843 lb/yd ³	~ 100%

910K, 914K Compact Wheel Loaders Specifications

914K Operating Specifications with Buckets

		Standard Lift – General Purpose									
		 Pin On			 IT				 ISO 23727		
Rated capacity	m ³	1.3	1.3	1.5	1.2	1.3	1.4	1.5	1.2	1.4	
	yd ³	1.7	1.7	2.0	1.6	1.7	1.8	2.0	1.6	1.8	
Width: bucket	mm	2401	2320	2401	2401	2320	2401	2401	2401	2401	
	ft/in	7'10"	7'7"	7'10"	7'10"	7'7"	7'10"	7'10"	7'10"	7'10"	
Nominal material density, 100% fill factor	kg/m ³	2145	2145	1835	2282	2101	1930	1790	2228	1884	
	lb/yd ³	3,616	3,615	3,033	3,772	3,541	3,308	2,959	3,683	3,229	
Clearance: full lift, 45° dump	mm	2874	2877	2820	2838	2806	2775	2749	2800	2738	
	ft/in	9'5"	9'5"	9'3"	9'3"	9'2"	9'1"	9'0"	9'2"	8'11"	
Reach: full lift, 45° dump	mm	737	744	790	799	822	847	868	843	889	
	ft/in	2'5"	2'5"	2'7"	2'7"	2'8"	2'9"	2'10"	2'9"	2'10"	
Reach: 2130 mm (7'0") clearance, 45° dump	mm	1327	1335	1352	1370	1377	1384	1390	1394	1404	
	ft/in	4'4"	4'4"	4'5"	4'5"	4'6"	4'6"	4'6"	4'6"	4'7"	
Reach: level arm, level bucket	mm	1996	1998	2072	2063	2102	2143	2177	2120	2199	
	ft/in	6'6"	6'6"	6'9"	6'9"	6'10"	7'0"	7'1"	6'11"	7'2"	
Dig depth	mm	89	89	89	90	90	89	89	90	90	
	in	3.5"	3.5"	3.5"	3.5"	3.5"	3.5"	3.5"	3.5"	3.5"	
Length: overall	mm	6215	6216	6291	6282	6322	6362	6397	6340	6419	
	ft/in	20'4"	20'4"	20'7"	20'7"	20'8"	20'10"	20'11"	20'9"	21'0"	
Height: overall	mm	4562	4551	4621	4591	4608	4674	4681	4627	4695	
	ft/in	14'11"	14'11"	15'1"	15'0"	15'1"	15'4"	15'4"	15'2"	15'4"	
Turning radius, bucket at carry	mm	5178	5141	5200	5198	5172	5222	5232	5216	5240	
	ft/in	16'11"	16'10"	17'0"	17'0"	16'11"	17'1"	17'2"	17'1"	17'2"	
Tipping load – straight, ISO 14397-1*	kg	6599	6594	6518	6508	6491	6426	6391	6360	6281	
	lb	14,544	14,533	14,364	14,343	14,305	14,163	14,086	14,016	13,842	
Tipping load – straight, rigid tire**	kg	6874	6869	6789	6779	6761	6694	6658	6625	6542	
	lb	15,150	15,139	14,963	14,940	14,901	14,753	14,673	14,600	14,419	
Tipping load – full turn, ISO 14397-1*	kg	5578	5577	5504	5477	5463	5403	5371	5348	5275	
	lb	12,294	12,291	12,130	12,071	12,040	11,907	11,837	11,786	11,626	
Tipping load – full turn, rigid tire**	kg	5934	5933	5855	5827	5812	5748	5714	5689	5612	
	lb	13,079	13,075	12,904	12,842	12,809	12,667	12,593	12,538	12,369	
Breakout force	kg	8730	8731	7981	8045	7708	7357	7095	7527	6924	
	kN	85.6	85.6	78.3	78.9	75.6	72.1	69.6	73.8	67.9	
	lbf	19,241	19,242	17,589	17,730	16,987	16,214	15,636	16,589	15,259	
Operating weight	kg	8088	8068	8126	8427	8423	8467	8483	8450	8488	
	lb	17,825	17,781	17,910	18,573	18,564	18,663	18,695	18,623	18,708	

*Full compliance to ISO 14397-1 (2007) Sections 1 thru 6, which requires 2% verification between calculation and testing.

**Compliance to ISO 14397-1 (2007) Sections 1 thru 5.

Dimensions listed are for a 914K configured with buckets, bolt-on cutting edges, optional counterweights, additional guarding, 80 kg (176 lb) operator, and Michelin 17.5 R25 (L2) XTLA tires at a pressure of 4.14 bar (60 psi) in the front tires and 2.76 bar (40 psi) in the rear tires.

910K, 914K Compact Wheel Loaders Specifications

914K Bucket Selection Table – Standard Lift

Bucket Fill Factor		kg/m ³	1450	1525	1600	1675	1750	1825	1900	1975	2050	2125	2200
		lb/yd ³	2,443	2,570	2,696	2,822	2,949	3,075	3,202	3,328	3,454	3,581	3,707
		m ³											
		yd ³											
General Purpose	Pin On	1.3	1.7						113%	109%	105%	101%	98%
		1.3	1.7						113%	109%	105%	101%	97%
		1.5	2.0		115%	110%	105%	101%	97%				
	IT	1.2	1.6								111%	107%	104%
		1.3	1.7						111%	106%	102%	99%	96%
		1.4	1.8			110%	106%	102%	98%	94%			
		1.5	2.0		112%	107%	102%	98%	94%				
	ISO	1.2	1.6							113%	109%	105%	101%
		1.4	1.8		112%	108%	103%	99%	95%				

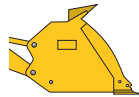


Material density and fill factor are key variables when choosing the appropriate size of the bucket. The long floor and open throat design of the Performance Series Buckets along with the aggressive rack angles of the Cat Optimized Z-bar Loader will demonstrate fill factors greater than 100% ISO rated. Refer to the Fill Factors table for expected fill factor per material density, and Bucket Selection Table for bucket sizing.

914K Fill Factors – Standard Lift

Materials	Density	Fill %
Earth and rock	~ 1800 kg/m ³ ~ 3,033 lb/yd ³	~ 115%
Sand and gravel	~ 1700 kg/m ³ ~ 2,865 lb/yd ³	~ 115%
Aggregates	~ 1600 kg/m ³ ~ 2,696 lb/yd ³	~ 105%
Bulk grains	~ 750 kg/m ³ ~ 1,264 lb/yd ³	~ 100%
Woodchips	~ 500 kg/m ³ ~ 843 lb/yd ³	~ 100%

910K, 914K Compact Wheel Loaders Specifications

914K Operating Specifications with Buckets

		High Lift – General Purpose								
		 Pin On			 IT				 ISO 23727	
Rated capacity	m ³	1.3	1.3	1.5	1.2	1.3	1.4	1.5	1.2	1.4
	yd ³	1.7	1.7	2.0	1.6	1.7	1.8	2.0	1.6	1.8
Width: bucket	mm	2401	2320	2401	2401	2320	2401	2401	2401	2401
	ft/in	7'10"	7'7"	7'10"	7'10"	7'7"	7'10"	7'10"	7'10"	7'10"
Nominal material density, 100% fill factor	kg/m ³	1719	1721	1471	1829	1686	1547	1436	1791	1515
	lb/yd ³	2,897	2,900	2,431	3,023	2,841	2,652	2,373	2,960	2,596
Clearance: full lift, 45° dump	mm	3227	3230	3174	3191	3160	3129	3103	3153	3091
	ft/in	10'7"	10'7"	10'4"	10'5"	10'4"	10'3"	10'2"	10'4"	10'1"
Reach: full lift, 45° dump	mm	956	963	1009	1018	1041	1066	1088	1062	1108
	ft/in	3'1"	3'1"	3'3"	3'4"	3'4"	3'5"	3'6"	3'5"	3'7"
Reach: 2130 mm (7'0") clearance, 45° dump	mm	1782	1790	1812	1829	1838	1848	1857	1856	1872
	ft/in	5'10"	5'10"	5'11"	5'11"	6'0"	6'0"	6'1"	6'1"	6'1"
Reach: level arm, level bucket	mm	2411	2412	2487	2477	2517	2558	2592	2535	2614
	ft/in	7'10"	7'10"	8'1"	8'1"	8'3"	8'4"	8'6"	8'3"	8'6"
Dig depth	mm	272	272	272	274	274	273	273	273	273
	in	10.7"	10.7"	10.7"	10.8"	10.8"	10.8"	10.8"	10.8"	10.8"
Length: overall	mm	6758	6760	6834	6825	6865	6905	6940	6883	6962
	ft/in	22'2"	22'2"	22'5"	22'4"	22'6"	22'7"	22'9"	22'6"	22'10"
Height: overall	mm	4916	4904	4974	4945	4962	5027	5034	4980	5048
	ft/in	16'1"	16'1"	16'3"	16'2"	16'3"	16'5"	16'6"	16'4"	16'6"
Turning radius, bucket at carry	mm	5424	5389	5448	5445	5422	5471	5482	5458	5484
	ft/in	17'9"	17'8"	17'10"	17'10"	17'9"	17'11"	17'11"	17'10"	17'11"
Tipping load – straight, ISO 14397-1*	kg	5317	5319	5254	5250	5242	5187	5161	5146	5085
	lb	11,717	11,722	11,580	11,571	11,553	11,433	11,374	11,341	11,206
Tipping load – straight, rigid tire**	kg	5538	5540	5473	5469	5461	5404	5376	5360	5297
	lb	12,205	12,211	12,063	12,053	12,035	11,909	11,848	11,813	11,673
Tipping load – full turn, ISO 14397-1*	kg	4469	4474	4412	4390	4384	4332	4307	4298	4241
	lb	9,850	9,860	9,722	9,675	9,661	9,546	9,492	9,472	9,347
Tipping load – full turn, rigid tire**	kg	4755	4760	4693	4670	4663	4608	4582	4572	4512
	lb	10,479	10,490	10,343	10,293	10,278	10,156	10,098	10,077	9,943
Breakout force	kg	8861	8861	8100	8164	7822	7466	7201	7635	7024
	kN	86.9	86.9	79.4	80.1	76.7	73.2	70.6	74.9	68.9
	lbf	19,528	19,528	17,853	17,993	17,239	16,456	15,870	16,827	15,481
Operating weight	kg	8142	8122	8181	8482	8477	8521	8537	8504	8542
	lb	17,944	17,901	18,030	18,693	18,684	18,785	18,815	18,742	18,827

*Full compliance to ISO 14397-1 (2007) Sections 1 thru 6, which requires 2% verification between calculation and testing.

**Compliance to ISO 14397-1 (2007) Sections 1 thru 5.

Dimensions listed are for a 914K configured with buckets, bolt-on cutting edges, optional counterweights, additional guarding, 80 kg (176 lb) operator, and Michelin 17.5 R25 (L2) XTLA tires at a pressure of 4.14 bar (60 psi) in the front tires and 2.76 bar (40 psi) in the rear tires.

910K, 914K Compact Wheel Loaders Specifications

914K Bucket Selection Table – High Lift

Bucket Fill Factor		kg/m ³	1150	1225	1300	1375	1450	1525	1600	1675	1750	1825	1900	
		lb/yd ³	1,938	2,064	2,191	2,317	2,443	2,570	2,696	2,822	2,949	3,075	3,202	
		m ³												
		yd ³												
General Purpose	Pin On	1.3	1.7						113%	107%	103%	98%	94%	
		1.3	1.7						113%	108%	103%	98%	94%	
		1.5	2.0			113%	107%	101%	96%					
	IT	1.2	1.6							114%	109%	105%	100%	96%
		1.3	1.7						111%	105%	101%	96%		
		1.4	1.8				113%	107%	101%	97%				
		1.5	2.0			110%	104%	99%	94%					
	ISO	1.2	1.6							112%	107%	102%	98%	94%
		1.4	1.8				110%	104%	99%	95%				

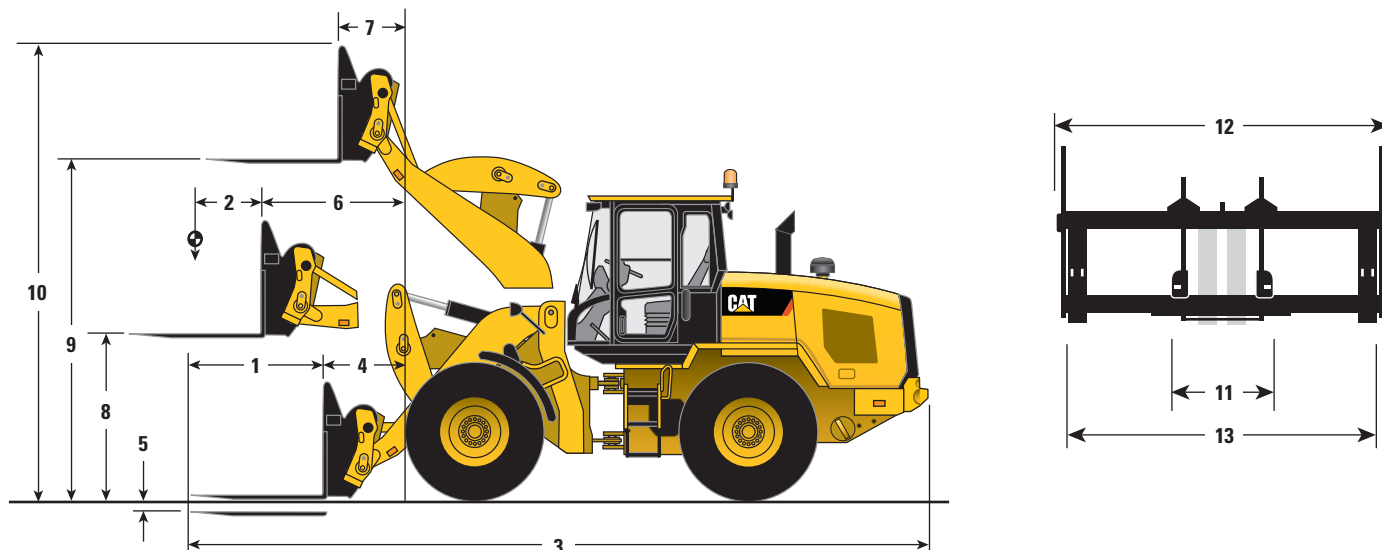
Material density and fill factor are key variables when choosing the appropriate size of the bucket. The long floor and open throat design of the Performance Series Buckets along with the aggressive rack angles of the Cat Optimized Z-bar Loader will demonstrate fill factors greater than 100% ISO rated. Refer to the Fill Factors table for expected fill factor per material density, and Bucket Selection Table for bucket sizing.

914K Fill Factors – High Lift

Materials	Density	Fill %
Earth and rock	~ 1800 kg/m ³ ~ 3,033 lb/yd ³	~ 115%
Sand and gravel	~ 1700 kg/m ³ ~ 2,865 lb/yd ³	~ 115%
Aggregates	~ 1600 kg/m ³ ~ 2,696 lb/yd ³	~ 105%
Bulk grains	~ 750 kg/m ³ ~ 1,264 lb/yd ³	~ 100%
Woodchips	~ 500 kg/m ³ ~ 843 lb/yd ³	~ 100%

910K, 914K Compact Wheel Loaders Specifications

Operating Specifications with Pallet Forks



	Forks – Standard Lift IT				Forks – High Lift IT			
	910K		914K		910K		914K	
1 Fork tine length	1200 mm	3'11"	1200 mm	3'11"	1200 mm	3'11"	1200 mm	3'11"
2 Load center	600 mm	1'11"	600 mm	1'11"	600 mm	1'11"	600 mm	1'11"
3 Length: overall	6719 mm	22'0"	6706 mm	22'0"	7259 mm	23'9"	7259 mm	23'9"
4 Reach: ground	693 mm	2'3"	637 mm	2'1"	1233 mm	4'0"	1189 mm	3'10"
5 Dig depth	78 mm	3.1"	51 mm	2"	256 mm	10.1"	235 mm	9.2"
6 Reach: level arm	1354 mm	4'5"	1324 mm	4'4"	1769 mm	5'9"	1739 mm	5'8"
7 Reach: full lift	502 mm	1'7"	472 mm	1'6"	722 mm	2'4"	691 mm	2'3"
8 Clearance: level arm	1640 mm	5'4"	1689 mm	5'6"	1640 mm	5'4"	1689 mm	5'6"
9 Clearance: full lift	3457 mm	11'4"	3485 mm	11'5"	3813 mm	12'6"	3838 mm	12'7"
10 Height: overall	4443 mm	14'6"	4472 mm	14'8"	4800 mm	15'8"	4825 mm	15'9"
Tipping load – straight, ISO 14397-1*	4097 kg	9,028 lb	5051 kg	11,131 lb	3943 kg	8,690 lb	4200 kg	9,257 lb
Tipping load – full turn, ISO 14397-1*	3456 kg	7,615 lb	4259 kg	9,386 lb	3295 kg	7,261 lb	3521 kg	7,759 lb
Operating weight	7368 kg	16,238 lb	8326 kg	18,349 lb	7877 kg	17,361 lb	8380 kg	18,468 lb
Rated load % of full turn tip:								
50% of tip: SAE J1197**	1728 kg	3,807 lb	2129 kg	4,693 lb	1647 kg	3,630 lb	1760 kg	3,879 lb
60% of tip: rough terrain EN474-3**	2073 kg	4,569 lb	2555 kg	5,632 lb	1977 kg	4,356 lb	2112 kg	4,655 lb
80% of tip: firm and level EN474-3**	2764 kg	6,092 lb	3407 kg	7,509 lb	2636 kg	5,809 lb	2817 kg	6,207 lb
11 Minimum fork spacing	300 mm	0'11"	300 mm	0'11"	300 mm	0'11"	300 mm	0'11"
12 Carriage width	1550 mm	5'1"	1550 mm	5'1"	1550 mm	5'1"	1550 mm	5'1"
13 Maximum fork spacing	1526 mm	5'0"	1526 mm	5'0"	1526 mm	5'0"	1526 mm	5'0"

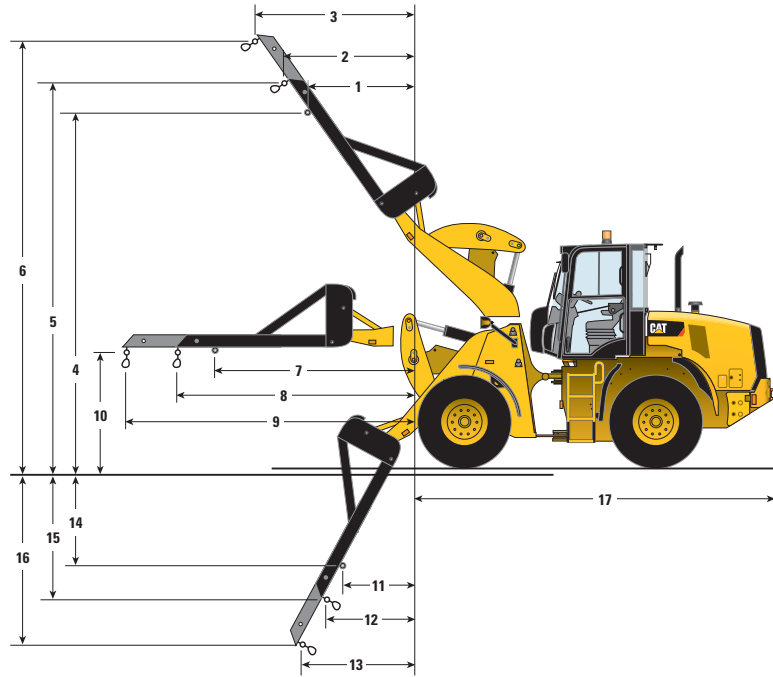
*Full compliance to ISO 14397-1 (2007) Sections 1 thru 6, which requires 2% verification between calculation and testing.

**Full compliance to EN474-3 and SAE J1197.

Dimensions listed are for a machine configured with IT work tools, 80 kg (176 lb) operator, and standard tires.

910K, 914K Compact Wheel Loaders Specifications

Operating Specifications with Material Handling Arm



Material Handling Arm – IT

		Standard Lift				High Lift			
		910K		914K		910K		914K	
1		1246 mm	4'1"	1213 mm	3'11"	1398 mm	4'7"	1365 mm	4'5"
2		1705 mm	5'7"	1673 mm	5'5"	1824 mm	5'11"	1792 mm	5'10"
3		2165 mm	7'1"	2133 mm	6'11"	2251 mm	7'4"	2219 mm	7'3"
4		5495 mm	18'0"	5510 mm	18'0"	5888 mm	19'3"	5900 mm	19'4"
5		6382 mm	20'11"	6390 mm	20'11"	6791 mm	22'3"	6797 mm	22'3"
6		7270 mm	23'10"	7271 mm	23'10"	7695 mm	25'2"	7695 mm	25'2"
7		3161 mm	10'4"	3129 mm	10'3"	3576 mm	11'8"	3544 mm	11'7"
8		4160 mm	13'7"	4128 mm	13'6"	4574 mm	15'0"	4542 mm	14'10"
9		5160 mm	16'11"	5128 mm	16'9"	5574 mm	18'3"	5542 mm	18'2"
10		1784 mm	5'10"	1832 mm	6'0"	1784 mm	5'10"	1832 mm	6'0"
11		1415 mm	4'7"	1383 mm	4'6"	1683 mm	5'6"	1651 mm	5'4"
12		1962 mm	6'5"	1930 mm	6'3"	2165 mm	7'1"	2133 mm	6'11"
13		2510 mm	8'2"	2478 mm	8'1"	2648 mm	8'8"	2616 mm	8'6"
14		1649 mm	5'4"	1637 mm	5'4"	1905 mm	6'3"	1896 mm	6'2"
15		2485 mm	8'1"	2479 mm	8'1"	2779 mm	9'1"	2777 mm	9'1"
16		3321 mm	10'10"	3323 mm	10'10"	3655 mm	11'11"	3659 mm	12'0"
17		4826 mm	15'10"	4868 mm	15'11"	4826 mm	15'10"	4868 mm	15'11"

	Standard Lift				High Lift			
	910K		914K		910K		914K	
Operating weight	7336 kg	16,169 lb	8294 kg	18,280 lb	7846 kg	17,292 lb	8348 kg	18,399 lb
Rated load (50% of full turn tip SAE J1197*)								
Minimum extension (7)	1153 kg	2,540 lb	1430 kg	3,151 lb	1153 kg	2,541 lb	1236 kg	2,724 lb
Middle extension (8)	901 kg	1,986 lb	1122 kg	2,472 lb	922 kg	2,031 lb	989 kg	2,180 lb
Maximum extension (9)	741 kg	1,634 lb	925 kg	2,037 lb	769 kg	1,695 lb	827 kg	1,821 lb

*Full compliance to EN474-3 and SAE J1197.

910K, 914K Standard Equipment

Standard Equipment

Standard equipment may vary. Consult your Cat dealer for details.

POWER TRAIN

- Cat C3.8 electronic turbo diesel engine
 - Direct injection, fuel system
 - Common rail fuel injection – 3 stage
 - U.S. EPA Tier 4 Interim/EU Stage IIIB
 - Active regeneration, in-cylinder dosing
- Cooled EGR NO_x reduction
- Particulate matter reduction
- Fuel: Ultra Low Sulfur Diesel @ <15 ppm
- Engine Oil: CJ-4
- Electric fuel pump with four micron filtration
- S·O·SSM port, transmission oil
- Hydrostatic transmission, 20 km/h (12.5 mph)
- Lubed for life universal joints
- Forward – Neutral – Reverse on joystick
- 100% locking differentials, while moving
- Brakes, service
 - Enclosed, wet-disc full hydraulic
- Brakes, parking (also secondary brake)
 - Mechanical on drive-line
- Radiator, serviceable core, single plane
- Air cleaner, radial seal, dual filters
- Air inlet heater starting aid
- Cooling fan, hydraulic
- Radiator expansion tank
- Tires, 15.5-25 12PR (910K)
- Tires, 17.5-25 12PR (914K)

LOADER

- Parallel lift, Z-bar loader
- Ground access grease points

HYDRAULICS

- Automatic lift kickouts
- Priority steering
- Hydraulics, two valve, one joystick
- Hydraulic diagnostic pressure taps
- S·O·S port, hydraulic oil
- Hydraulic oil cooler – single plane
- Hydraulically driven cooling fan
- Pump, variable displacement piston (914K)
- Pump, gear (910K)

ELECTRICAL

- 80-ampere alternator
- One 1,000 CCA maintenance free battery
- Halogen flood lights (front and rear)
- Directional Signals (front and rear)
- 12 volt direct electric starting
- Ignition key start/stop switch
- Switch, battery disconnect key
- Steering wheel mounted warning horn
- Product Link ready wiring

OPERATOR ENVIRONMENT

- ROPS/FOPS cab, pressurized and sound suppressed
- Hydraulic control lever lockout
- Electro hydraulic implement controls
- Gauges
 - Engine coolant temperature
 - Hydraulic oil temperature
 - Fuel level
 - Speedometer
 - Digital hour meter
- Operator warning system indicators:
 - Brake charge pressure low
 - Engine malfunction
 - Park brake applied
 - Electrical system voltage low
 - Hydraulic oil filter bypass
 - Action indicator
 - Diesel particulate filter

- Interior light
- Door
- Seat
 - Fabric or vinyl
 - Adjustable height, backrest, armrest
 - Seat belt, retractable
- Heater/defroster
- Wiper/washer front (intermittent)
- Wiper/washer rear
- Tinted front glass, laminated
- Side and rear glass, tempered
- Adjustable steering column
- Rear window defrost
- Rearview mirrors, outside (two)
- Storage box with cup holder
- Ground level door release
- Internal 12V power source
- External 12V power source

FLUIDS

- Extended life coolant antifreeze, protected to –36° C (–33° F) hydraulic oil
- Cat Advanced Hydo 10

CHASSIS

- Fenders, front and rear
- Engine enclosure – lockable
- Recovery hitch
- Vandalism protection – locked service points
- Counterweight

REGIONAL STANDARDS (as required)

- Alarm, back-up alarm
- Chocks, chassis mounted wheel
- Guard, bucket tooth or edge
- Decals, roading speed
- Decals, in cab, roof height
- Beacon
- Reflectors, roading
- Plate, year of manufacture

NOTE: Not all features are available in all regions. See your Cat dealer for more information.

Optional Equipment

Optional equipment may vary. Consult your Cat dealer for details.

910K/914K

- Power train, high rimpull, 40 km/h (25 mph)
- Turbine precleaner option
- Loader arrangement, pin on, high lift
- Loader arrangement, standard coupler
- Loader arrangement, wide coupler
- Loader arrangement, wide coupler, high lift
- Automatic bucket/fork positioner
- Hydraulics, three valve, one lever
- Hydraulics, three valve, one lever, high lift
- Hydraulics, four valve, one lever
- Lights, roading, RH dip
- Lights, roading, LH dip
- Lights, cab, working (four)
- Fan cooling, on demand
- Steering, secondary
- Standard, canopy
- Feature package, road
 - Ride Control, Creeper, Implement Modulation, Hystat Aggressiveness, Throttle Lock
- Feature package, load
 - Return To Dig, Lift Kickout, Rimpull Control, Implement Modulation, Hystat Aggressiveness, Throttle Lock
- Feature package, road and load
 - Combined above features
- Seat belt, retractable 75 mm (3 in)
- Heater and air conditioner
- Blind, rear
- Security system, machine
- 910K Tires
 - 15.5R25
 - 16.9-24 10PR
 - 16.9-24 12PR
 - Flexport
- 914K Tires
 - 17.5-25 12PR L2
 - 17.5-R25 XHA * L3
 - 17.5-R25 * L2,3 PC RM
 - 17.5-25 16PR L3, 3PC RIM
 - 17.5-25 GY L2/L3
 - 17.5-25 12PR L2, SNOW
 - Flexport
- Limiter, axle oscillation
- For canopy only
 - Guard, hose, three valve
 - Guard, hose, four valve
 - Guard, hose, three valve, high lift
 - Guard, coupler hose, standard lift
 - Guard, coupler hose, high lift
- Fenders, mudflaps
- Enclosure, sound suppression, EU
- Enclosure, sound suppression, Blue Angel
- Engine coolant, extreme temperatures
- Hydraulic oil, biodegradable
- Year of manufacture plate
- Battery, heavy duty
- Beacon, rotating
- Harness, wiring, work tool
- Alarm, back-up
- Product Link
- Cat radio
- Tool box, lockable
- License plate mount

NOTE: Not all features are available in all regions. See your Cat dealer for more information.

For more complete information on Cat products, dealer services, and industry solutions, visit us on the web at www.cat.com

AEHQ7242 (04-2014)

© 2014 Caterpillar
All rights reserved

Materials and specifications are subject to change without notice. Featured machines in photos may include additional equipment. See your Cat dealer for available options.

CAT, CATERPILLAR, SAFETY.CAT.COM, their respective logos, "Caterpillar Yellow" and the "Power Edge" trade dress, as well as corporate and product identity used herein, are trademarks of Caterpillar and may not be used without permission.

